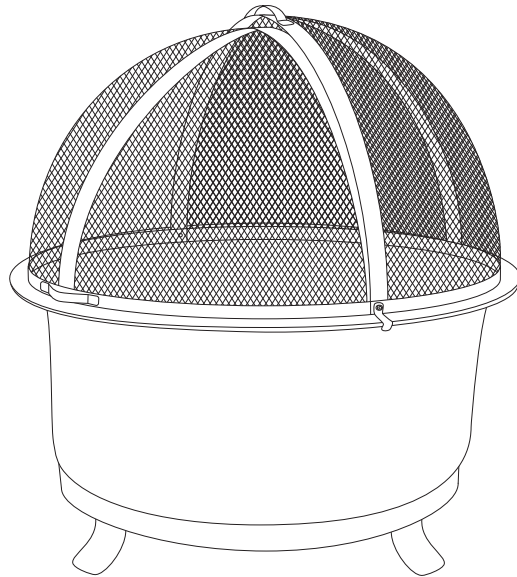


Smith & Hawken®

Large Copper Fire Bowl

With Smith & Hawken's 30 year history, you can rest assured that each piece we sell is impeccably crafted and beautifully designed to honor the heritage of gardening and outdoor living. We thank you for purchasing the Large Copper Fire Bowl, a piece that's sure to bring you years of enjoyment.

To ensure easy assembly, please read this manual. Should you experience any problems, please contact Guest Service at 1-800-591-3869.



3. Fully assembled Large Copper Fire Bowl.

NOTE: BEFORE ASSEMBLING, MAKE SURE YOU HAVE ALL PARTS AND HARDWARE LISTED BELOW.

Unpack the Large Copper Fire Bowl on a protected, level surface and identify the following components.

Included Parts

- A. Screen Section (2)
- B. Grate (1)
- C. Copper Cauldron (1)
- D. Cauldron Stand (1)

Included Hardware

- E. Bolt (3)
- F. Nut (3)
- G. Screen Fastener Clamp (3)
- H. Hex Wrench (1)

Smith & Hawken®

UNCOMPROMISING QUALITY™

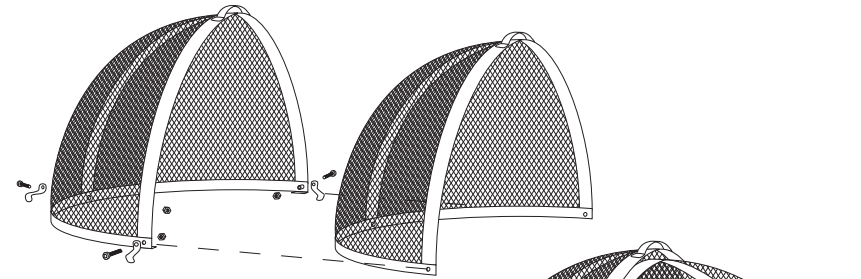
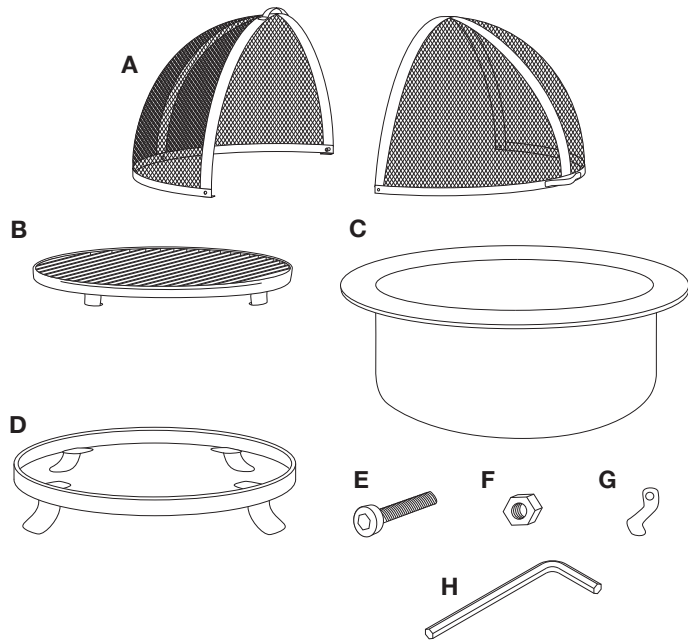
Target.com/smithandhawken · Guest Service: 1-800-591-3869

© 2010 Target Stores.

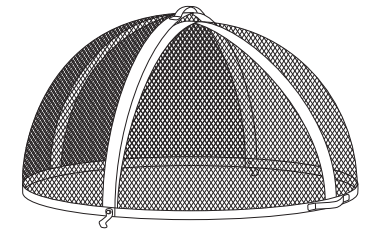
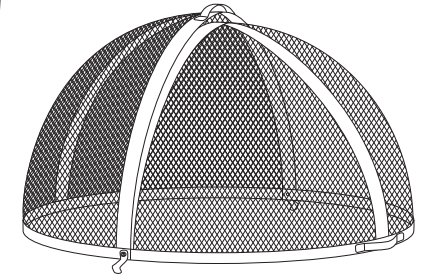
Tools Required for Assembly

Hex Wrench included

How to assemble Your Large Copper Fire Bowl



1. Nest two assembled Screen Sections (A) so the welded handles are on top and the hinge sections of both sections are aligned. Attach screens at each hinge by inserting Bolt (E) through a Screen Fastener Clamp and aligned Screen Sections. Loosely secure Bolt (E) with Nut (F). Hand tighten hardware only. Repeat step 2 for opposite hinge. Attach remaining Screen Fastener Clamp (G) with Bolt (E) and Nut (F). Once all hardware is in place, tighten Bolts with Hex Wrench (H).



2. Place Fire Bowl (C) on Fire Bowl Stand (D). Insert Grate (B) in Bowl. Place assembled Spark Screen on Bowl.

